

TIG TORCHES



Weldcraft's innovative "WP" silicone rubber insulated TIG welding torches have become the recognized world leader for quality, durability and value. They have earned the respect of the most demanding industries such as aircraft/aerospace, power plant construction, shipbuilding and pipe fabrication. Now, the industry leader in TIG torches has teamed with Miller Electric, the recognized leader in TIG welding machines. Together, we are able to offer the best possible TIG welding packages in the market today. Miller is proud to offer our customers a full line of genuine Weldcraft replacement torches and consumables.

Weldcraft/Miller Torch Numbering System

WP1712RM

Indicates torch brand/model
WP=Weldcraft
CS=Weldcraft Crafter Series

Indicates torch size
9=125 Amp (Air-Cooled)
17=150 Amp (Air-Cooled)
18=400 Amp (Water-Cooled)
20=250 Amp (Water-Cooled)
26=200 Amp (Air-Cooled)
310=310 Amp (Water-Cooled)

Indicates a Weldcraft/Miller torch
 Includes 3/32 in collet, collet body and ceriated tungsten, and #7 alumina nozzle (items 5-7 below)

Indicates hose type
R=Rubber
MF=Mono Flex

Indicates cable length
12=12 ft
25=25 ft

¹When an "SC" follows the "18" in the Weldcraft torch it stands for "Super Cool".
Note: Weldcraft/Miller torch numbers do not contain dashes.
DI=Dinse



WP18SC12



WP26V12RM



WP1712RM

For other Weldcraft items not listed in this catalog, please call Weldcraft at 1-800-752-7620.

TIG Torch/Power Source Guide

Power Supply	Torch Adapter	Recommended Torches	Power Supply	Torch Adapter	Recommended Torches
Diversion 165/180	—	LS17 (235 392)	Maxstar® 200	195 378	WP1712RM WP1725RM
Dynasty® 200	195 378	WP1712RM WP1725RM	Maxstar® 350	195 377	CS31012RM CS31025RM
Dynasty® 350	195 377	CS31012RM CS31025RM	Maxstar® 700	225 028	WP18SC12RM WP18SC25RM
Dynasty® 350	195 377	CS31012RM CS31025RM	Syncrowave® 200	194 722	WP1712MFM WP1725MFM
Dynasty® 700	225 028	WP18SC12RM WP18SC25RM	Syncrowave® 250 DX	195 377	WP2012RM WP2025RM
Econotig®	194 722	WP1712RM WP1725RM	Syncrowave® 350 LX	195 377	CS31012RM CS31025RM
Maxstar® 150	195 234	WP1712RM WP1725RM	XMT 350, XMT 350VS, MPA, Invision MPA, Dialarc HF	45V11	WP2012RM WP2025RM WP1812RM WP1825RM

Tungsten Electrodes: 10 Packs (7 Inch Long)

Diameter	Pure (Green)	2% Thoriated (Red)	2% Ceriated (Orange)
.040 in	WP040X7	WT040X7	WC040X7
1/16 in	WP116X7	WT116X7	WC116X7
3/32 in	WP332X7	WT332X7	WC332X7
1/8 in	WP018X7	WT018X7	WC018X7
5/32 in	WP532X7	WT532X7	WC532X7

Cable Covers

Part #	
WC-3-10	10 ft Black
WC-3-22	22 ft Black



TIG Torch Service Parts/Consumables

For other Weldcraft items not listed in this catalog, please call Weldcraft at 1-800-752-7620.

		Water-Cooled Torches				Air-Cooled Torches				
Torch Stock #		WP1812RM WP1825RM	WP18SC12RM WP18SC25RM	WP2012RM WP2025RM	CS31012RM CS31025RM	WP1712RM WP1725RM	WP1712MFM WP1725MFM	WP2612RM WP2625RM	WP26V12RM WP26V25RM	LS17 235 329
Amp Rating at 100%		350A	400 A	250 A	210 A	150 A	150 A	200 A	200 A	150 A
1A	Long Back Cap	57Y02	57Y02	41V24	CS110-BCL	57Y02	57Y02	57Y02	57Y02	LS57Y02
1B	Medium Back Cap	—	300M	41V35	CS110-BCM	300M	300M	—	—	300M
1C	Short Back Cap (button)	57Y04	57Y04	41V33	CS110-BCS	57Y04	57Y04	57Y04	57Y04	57Y04LGC
2	Back Cap Insulator	18-7	—	9-4	—	18-7	18-7	18-7	18-7	—
3	Torch Body	WP-18	WP18SC	WP-20	CS310A	WP-17	WP-17	WP-26	WP-26V	LS17
4A	Nozzle Insulator	18CG	18NG ⁶	598882	598882	18CG	18CG	18CG	18CG	18CG
4B	Gas Lens Insulator (small)	54N01	—	—	—	54N01	54N01	54N01	54N01	54N01
4C	Gas Lens Insulator (large)	54N63	—	54N63-20	54N63-20	54N63	54N63	54N63	54N63	54N63
5	.020" Collet	10N21	10N21	13N20	13N20	10N21	10N21	10N21	10N21	10N21
	.040" Collet	10N22	10N22	13N21	13N21	10N22	10N22	10N22	10N22	10N22
	1/16" Collet	10N23	10N23	13N22	13N22	10N23	10N23	10N23	10N23	10N23
	3/32" Collet	10N24	10N24	13N23	13N23	10N24	10N24	10N24	10N24	10N24
	1/8" Collet	10N25	10N25	13N24	13N24	—	—	10N25	10N25	—
5/32" Collet	54N20	54N20	—	—	—	—	54N20	54N20	—	
6	.020" Collet Body	10N29	NCB-53	13N25 ⁶	13N25 ⁶	10N29	10N29	10N29	10N29	10N29
	.040" Collet Body	10N30	NCB-53	13N26	13N26	10N30	10N30	10N30	10N30	10N30
	1/16" Collet Body	10N31	NCB-53	13N27	13N27	10N31	10N31	10N31	10N31	10N31
	3/32" Collet Body	10N32	NCB-53	13N28	13N28	10N32	10N32	10N32	10N32	10N32
	1/8" Collet Body	10N28	NCB-53	13N29	13N29	—	—	10N28	10N28	—
5/32" Collet Body	406488	NCB-36 ⁶	—	—	—	—	406488	406488	—	
7	1/4" Alumina Nozzle, #4	10N50	54N18	13N08	13N08	10N50	10N50	10N50	10N50	10N50
	5/16" Alumina Nozzle, #5	10N49	54N17	13N09	13N09	10N49	10N49	10N49	10N49	10N49
	3/8" Alumina Nozzle, #6	10N48	54N16	13N10	13N10	10N48	10N48	10N48	10N48	10N48
	7/16" Alumina Nozzle, #7	10N47	54N15	13N11	13N11	10N47	10N47	10N47	10N47	10N47
	1/2" Alumina Nozzle, #8	10N46	54N14	13N12	13N12	10N46	10N46	10N46	10N46	10N46
5/8" Alumina Nozzle, #10	10N45	—	13N13	13N13	10N45	10N45	10N45	10N45	10N45	
3/4" Alumina Nozzle, #12	10N44	—	—	—	10N44	10N44	10N44	10N44	10N44	
8	.020" Gas Lens (small)	45V29	—	45V41	45V41	45V29	45V29	45V29	45V29	45V29
	.040" Gas Lens (small)	45V24	18GL04 ⁶	45V42	45V42	45V24	45V24	45V24	45V24	45V24
	1/16" Gas Lens (small)	45V25	18GL16 ⁶	45V43	45V43	45V25	45V25	45V25	45V25	45V25
	3/32" Gas Lens (small)	45V26	18GL32 ⁶	45V44	45V44	45V26	45V26	45V26	45V26	45V26
	1/8" Gas Lens (small)	45V27	18GL18 ⁶	45V45	45V45	—	—	45V27	45V27	—
5/32" Gas Lens (small)	45V28	18GL53 ⁶	—	—	—	—	45V28	45V28	—	
9	.020" Gas Lens (large)	45V0204	—	45V0204S	45V0204S	45V0204	45V0204	45V0204	45V0204	—
	.040" Gas Lens (large)	45V0204	—	45V0204S	45V0204S	45V0204	45V0204	45V0204	45V0204	45V0204
	1/16" Gas Lens (large)	45V116	—	45V116S	45V116S	45V116	45V116	45V116	45V116	45V116
	3/32" Gas Lens (large)	45V64	—	45V64S	45V64S	45V64	45V64	45V64	45V64	45V64
	1/8" Gas Lens (large)	995795	—	995795S	995795S	—	—	995795	995795	—
10 (sm)	1/4" Gas Lens Alumina Nozzle, #4	54N18	54N18	53N58	53N58	54N18	54N18	54N18	54N18	54N18
	5/16" Gas Lens Alumina Nozzle, #5	54N17	54N17	53N59	53N59	54N17	54N17	54N17	54N17	54N17
	3/8" Gas Lens Alumina Nozzle, #6	54N16	54N16	53N60	53N60	54N16	54N16	54N16	54N16	54N16
	7/16" Gas Lens Alumina Nozzle, #7	54N15	54N15	53N61	53N61	54N15	54N15	54N15	54N15	54N15
	1/2" Gas Lens Alumina Nozzle, #8	54N14	54N14	53N61S	53N61S	54N14	54N14	54N14	54N14	54N14
11 (lrg)	3/8" Gas Lens Alumina Nozzle, #6	57N75	—	57N75	57N75	57N75	57N75	57N75	57N75	57N75LGC ⁶
	1/2" Gas Lens Alumina Nozzle, #8	57N74	—	57N74	57N74	57N74	57N74	57N74	57N74	57N74LGC ⁶
	5/8" Gas Lens Alumina Nozzle, #10	53N88	—	53N88	53N88	53N88	53N88	53N88	53N88	57N88LGC ⁶
	3/4" Gas Lens Alumina Nozzle, #12	53N87	—	53N87	53N87	53N87	53N87	53N87	53N87	53N87LGC ⁶
12A	Textured Handle	H-200 ⁶	H-200 ⁶	53N06	CS110-H	H-100	H-100	H-200 ⁶	H-200 ⁶	LS0020
12B	Ribbed Handle	—	—	53N06R	—	H-100R	H-100R	H-200R	H-200R	—
13	12' One-Piece Power Cable	40V64R ⁶	40V64R ^{3,6}	45V03RR ¹	CS310-12PC ^{1,6}	57Y01R ³	57Y01MF	46V28R ⁶	46V28R ⁶	57Y01RLGC
	25' One-Piece Power Cable	41V29R	41V29R ³	45V04RR ¹	CS310-25PC ¹	57Y03R ³	57Y03MF	46V30R	46V30R	57Y03RLGC
14	12' Water Hose	40V74R ⁶	40V74R ^{3,6}	45V07RBB ¹	CS310-12W ^{2,6}	—	—	—	—	—
	25' Water Hose	41V32R	41V32R ^{3,6}	45V08RBB ¹	CS310-25W ²	—	—	—	—	—
15	12' Gas Hose	40V75R18 ⁶	40V75R18 ^{3,6}	45V09R ³	CS310-12G ³	45V09R	45V09R	40V75R	40V75R	—
	25' Gas Hose	41V30R18	41V30R18 ³	45V10R ³	CS310-25G ³	45V10R	45V10R	41V30R	41V30R	—
16	Power Cable Adapter	45V11	45V11	45V11	45V11	105Z57	105Z57	45V62	45V62	—
17	Valve Stem w/O-Ring	—	—	—	—	—	—	—	—	VS-1
	Torch-to-Machine Adapter	195377	195377	195377	195377	(See note ⁴)	(See note ⁴)	(See note ⁵)	—	—
	Water Hose for Dinse Connector	222809	222809	222809	222809	—	—	—	—	—
	Accessory Kit	AK3C	AK18C	AK4C	CS310AKC	AK2C	AK2C	AK3C	AK3C	—
	Torch Package	WTP18RM	—	WTP20RM	—	WTP17RM	—	WTP26RM	—	—

¹Red hose

⁴Use adapter #194 722 for 50 mm connections and adapter #195 234 for 25 mm connections.

Note: Each Gooseneck includes locking screw liner, inserts and appropriate gooseneck liner.

²Blue hose

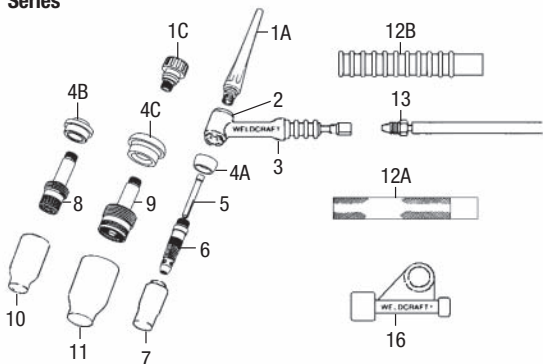
³Use adapter #194 723 for 50 mm connections and adapter #195 379 for 25 mm connections.

³Black hose

⁶Part is only available through WELDCRAFT 1-800-752-7620.

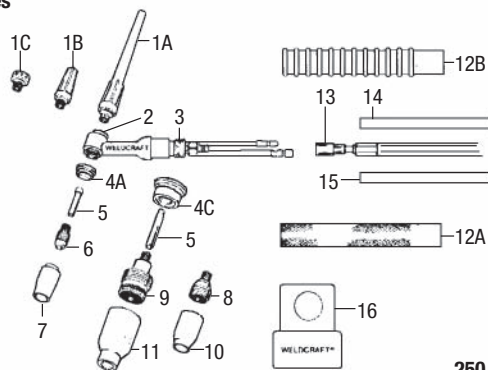
TIG TORCHES

WP17 Series



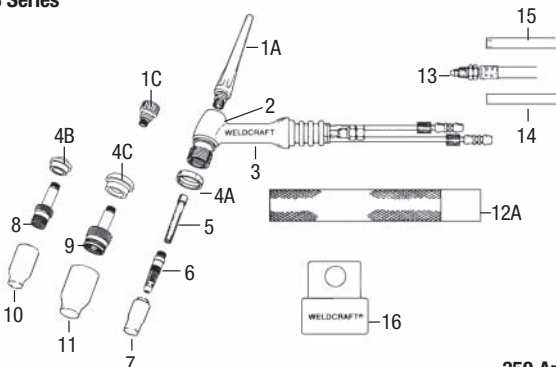
150 Amp

WP20 Series



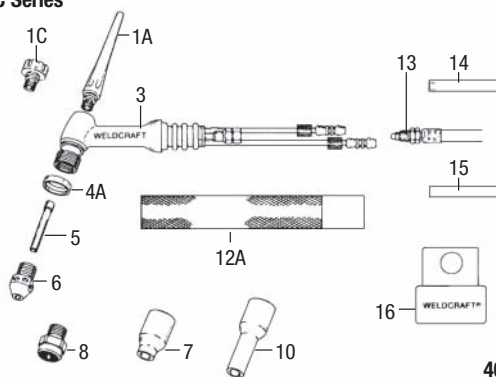
250 Amp

WP18 Series



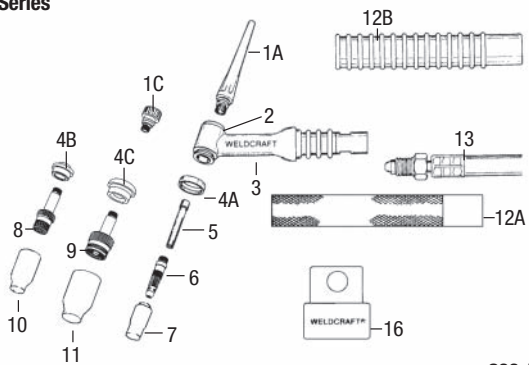
350 Amp

WP18SC Series



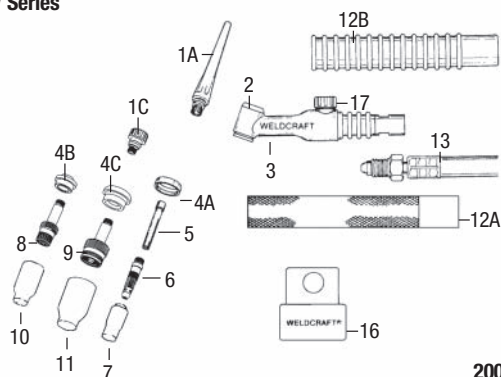
400 Amp

WP26 Series



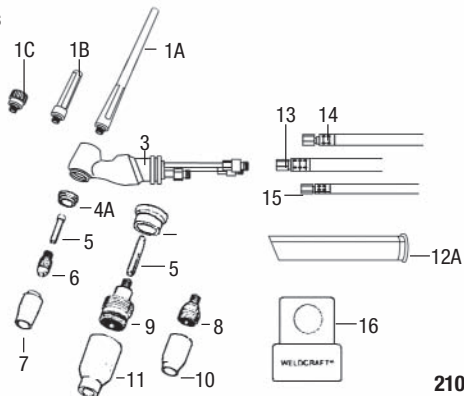
200 Amp

WP26V Series



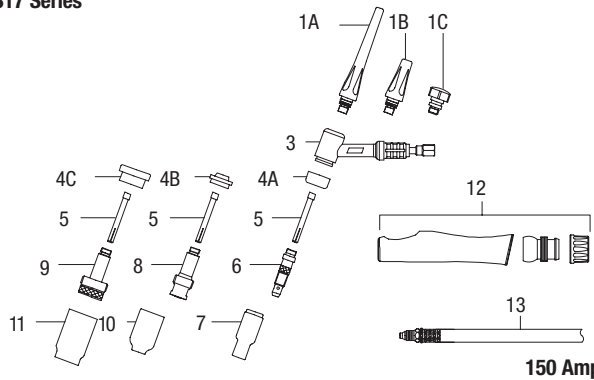
200 Amp

CS310 Series



210 Amp

LS17 Series



150 Amp

