

Hobart MIG Gun History

Machine	Spec # / Stock #	Original Gun	Recommended Replacement Gun
Handler®	6969-1	GAL-90	Contact TWECO
	All Other 6969 Series	GAL-100	Contact TWECO
Handler® 120	7144-1 and 71441A-1	GAL-100	Contact TWECO
	All Other	Piecemaker® 14-A	Contact TWECO
Handler® 125	All	H-9A, pg 32; H-9, pg 32	H-9 #195 157R, pg 32
Handler® 125EZ	All	H-9A, pg 32	H-9 #195 157R, pg 32
Handler® 130XL	All	GA-16C	M-100 #248 282, pg 20
Handler® 135/140	All	H-10, pg 34	H100S2-10 #245 924, pg 34
Handler® 150	All	Piecemaker® 14-A	Contact TWECO
Handler® 175/180	All	H-10, pg 34	H100S2-10 #245 924, pg 34
Handler® 187	All	H-10, pg 34	H100S2-10 #245 924, pg 34
Handler® 210	All	H-14, pg 33	H100S4-10 #245 926, pg 34
IronMan™ 210	All	M-10, pg 20	M-100/M-150, pg 20
IronMan™ 230	All	H200L4-15, pg 35	H200L4-15 #239 173, pg 35
IronMan™ 250/270	All	M-25, pg 21	M-25, pg 21
Trek 180	All	H100L4-10, pg 35	H100L4-10 #243 864, pg 35

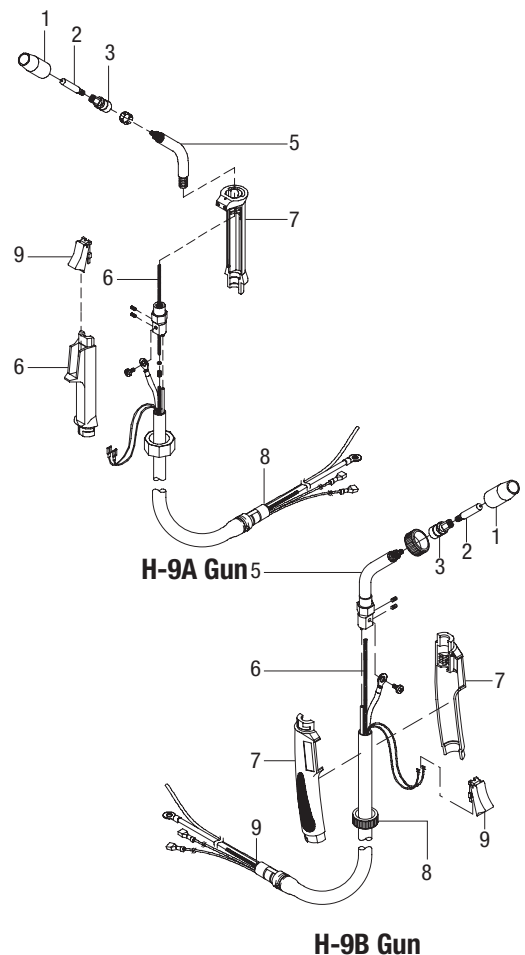
H-9A/9B Service Parts/Consumables

Item #	Part # H-9A*	Part # H-9B	Description	Quantity
	195 157R	—	H-9A Gun 8 ft (2.4 m), 100 A, .030-.035 (0.8-0.9 mm)	
	—	195 157R	H-9B Gun 8 ft (2.4 m), 100 A, .030-.035 (0.8-0.9 mm)	
1	169 715 ^(B)	169 715 ^(B)	Nozzle, slip type .500 (12.7 mm) orf flush	1 (2 per pkg)
	226 190	226 190	Nozzle, slip type flux cored	1 (1 per pkg)
2	087 299 ^(B)	087 299 ^(B)	Tip, contact scr .023 (0.6 mm) wire x 1.125	1 (10 per pkg)
	000 067 ^(B)	000 067 ^(B)	Tip, contact scr .030 (0.8 mm) wire x 1.125	1 (10 per pkg)
	000 068 ^(B)	000 068 ^(B)	Tip, contact scr .035 (0.9 mm) wire x 1.125	1 (10 per pkg)
3	169 716	169 716	Adapter, contact tip	1 (2 per pkg)
4	170 470	—	Ring, retaining	1
5	210 969	226 079	Tube, head	1
6	210 970	210 970	Kit, liner, monocoil .023-.035 (0.6-0.9 mm) wire x 15 ft	1
7	211 450 (N/A)	226 080	Handle Assembly	1
8	—	226 010	Nut, liner retainer	2
9	—	225 410	Switch, trigger	1

¹Optional

^(B)Available in bulk quantities — see page 22 for more information.

*H9B replaces H9A



For other products not listed in this catalog, please call Hobart at 1-800-626-9420.