

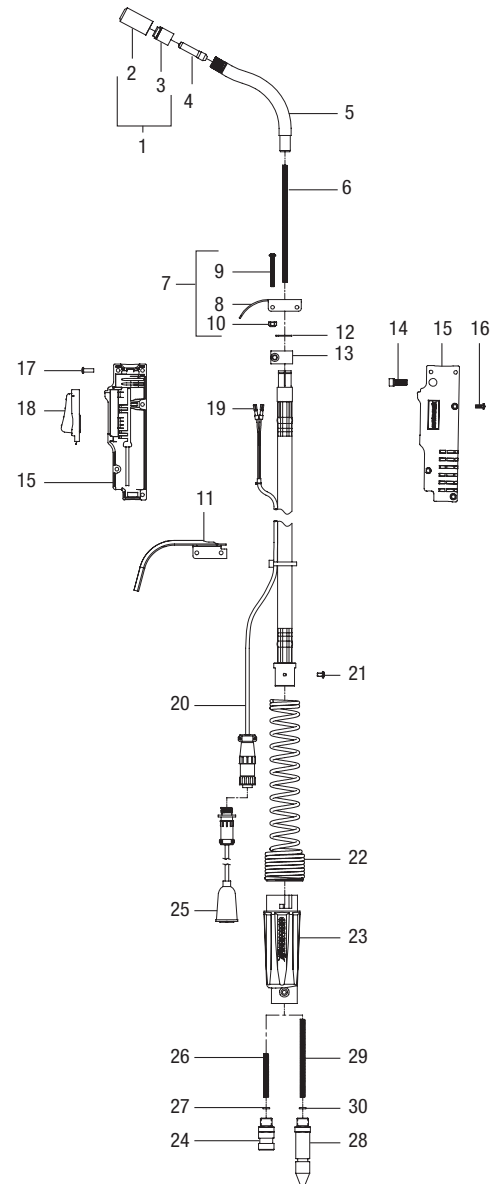


Dura-Flux™ Service Parts/Consumables

Item #	Part #	Description	Quantity
	FLX3515AM	Gun Assembly	
1	1880229	Tip Holder Kit (includes)	1
2	7010024²	Insulator, Tip	1
3	7010026	Tip Holder, Slip-On	1
4	T-062	Centerfire Contact Tip, 1/16" (1.6 mm)	1
	T-072	Centerfire Contact Tip, .072" (1.8 mm) (Included w/Gun)	1
	T-078	Centerfire Contact Tip, 5/64" (2.0 mm) (Included w/Gun)	1
	T-094	Centerfire Contact Tip, 3/32" (2.4 mm) (Included w/Gun)	1
5		Neck Replacement Kit (includes) ¹	1
	1880232	Sleeved, 6" (15.2 cm) x 30°	1
	1880222	Sleeved, 6" (15.2 cm) x 60° (Pictured)	1
	1880230	Sleeved, 8" (20.3 cm) x 90°	1
	1880223	Sleeved, 12" (30.5 cm) x 30°	1
	1880231	Sleeved, 12" (30.5 cm) x 60°	1
	1880236	Aluminum Armored, 6" (15.2 cm) x 30°	1
	1880233	Aluminum Armored, 6" (15.2 cm) x 60°	1
	1880235	Aluminum Armored, 8" (20.3 cm) x 90°	1
	1880234	Aluminum Armored, 12" (30.5 cm) x 30°	1
	1880237	Aluminum Armored, 12" (30.5 cm) x 60°	1
6	7010031	Neck Liner, 6" (15.2 cm)	1
	7010032	Neck Liner, 12" (30.5 cm)	1
7	1880224²	Trigger Guard Kit (includes)	
8	7010034	Trigger Guard	1
9	2280047²	Screw, #8-32 x 1-1/2 (2 Req'd)	2
10	2030030²	Nut, #8-32 (2 Req'd)	2
11	1760002	Heat Shield (Optional)	1
12	2250017	Snap Ring	1
13	198820	Clamp	1
14	2280046	Screw, 1/4-20, Hex Socket	1
15	1880225	Handle Kit (includes)	1
15		Handle Halves	
16	4209	Handle Screw	3
17	2030004	Post Fastener	3
18	5662	Switch Assy, Trigger	1
19	2660001	Terminal, Quick Disconnect	2
20	7010018	Cord Assembly, 10' (3.05 m)	1
	7010015	Cord Assembly, 15' (4.57 m)	1
21	W11127-002	Screw, Strain Relief	1
22	2520056	Spring, Strain Relief	1
23	2520047	Rigid Strain Relief	1
24	1880227	Lincoln Power Pin Kit (includes)	1
		Power Pin	
25	SCL1N	Trigger Cord Adapter (Lincoln Only)	1
26	7010036	Liner, Power Pin, Lincoln	1
27	2040017	O-Ring	1
28	1880226	Miller Power Pin Kit (includes)	1
		Power Pin	
29	7010035	Liner, Power Pin, Miller	1
30	2040017	O-Ring	1

¹Each kit contains 1 neck and 1 neck liner.

²Part is only available through Bernard 1-800-946-2281.



For other products not listed in this catalog, please call Bernard at 1-800-946-2281.