

Cable Connectors

Cam-Lok Twistlock Receptacles/Connectors

Item #	Part #	Description	Color	Cable Capacity
		Receptacles		
1	039 628	Receptacle, Insul. (Female)	Black	—
	039 638	Receptacle, Insul. (Female)	Black	—
2	056 271	Receptacle, Uninsul. (Male)	Black	—
		Connectors		
3	039 633¹	Connector, Insul. Set Scr. (In-Line Female)	Red	No. 1/0 – 3/0 (50 – 70 mm)
4	039 629	Connector, Insul. Set Scr. (Male)	Red	No. 2 – 1/0 (35 – 50 mm)
	039 630	Connector, Insul. Set Scr. (Male)	Red	No. 1/0 – 3/0 (50 – 70 mm)
	039 639	Connector, Insul. Set Scr. (Male)	Red	No. 3/0 – 4/0 (70 – 95 mm)

¹For In-Line Connections, use with #039 629 or #039 630

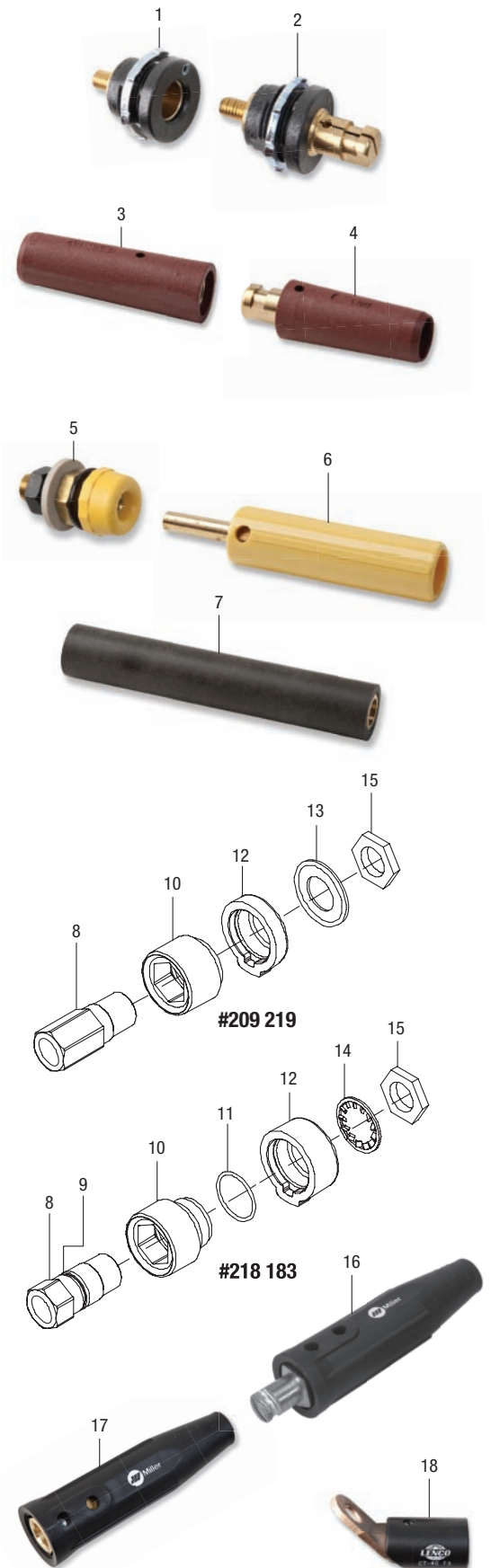
Miller Receptacles/Connectors

Item #	Part #	Description	Color	Cable Capacity
		Receptacles		
5	039 801	Receptacle, Insulated (Female)	Black	—
	039 800	Receptacle, Insulated (Female)	Red	—
	057 608	Receptacle, Insulated (Female)	Yellow	—
		Plugs		
6	039 901	Plug, Insulated (Male)	Black	No. 1 – 4
	039 608	Plug, Insulated (Male)	Red	No. 1 – 4
	039 878	Plug, Insulated (Male)	Yellow	No. 1 – 4
		Connectors		
7	039 611²	Connector, Insulated (Female)	Black	No. 1 – 4

²For In-Line Connections (Quick-Connect)

Tweco-Style Twistlock Receptacles/Connectors

Item #	Part #	Part #	Description
			Receptacles
	209 219	218 183	Receptacle Assembly (Female)
8	208 431	209 473	Receptacle, Brass (Female)
9	—	186 228	O-Ring, 0.739 ID x 0.070 H
10	208 429	185 712	Insulator, bulkhead front
11	—	185 718	O-Ring, 0.989 ID x 0.070 H
12	208 430	185 713	Insulator, bulkhead rear
13	229 338	—	Washer, domed load .812 ID x 1.450 OD x .070 THK
14	—	185 714	Tooth washer, 1 mm intern
15	185 717	185 717	Nut, M20-1.5 1.00 Hex .19 H BRS locking
			Connectors
16	191 981	191 981	Connector, Insulated (Male), No. 4 – 1/0 - 2/0 (25 – 50 mm)
17	218 677	218 677	Connector, Insulated (Female), No. 4 – 1/0 - 2/0 (25 – 50 mm)
			Adapters
18	218 678	218 678	Adapter, Threaded Stud to Tweco (stud hole dia. 17/32 in)

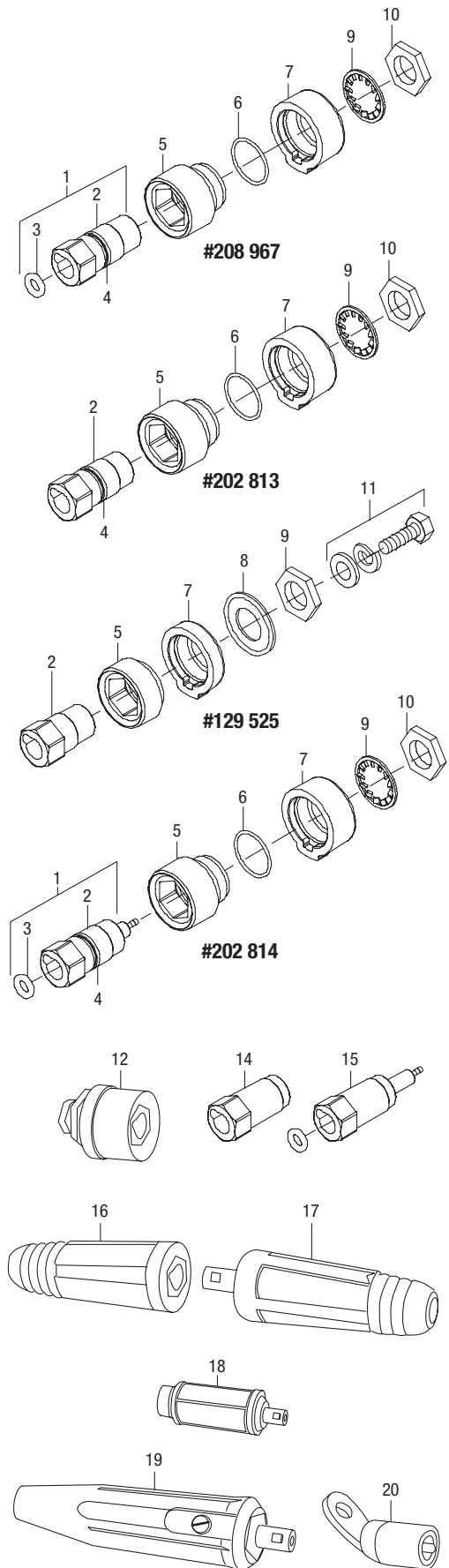




Cable Connectors

Dinse™ Twistlock Receptacles (50/70 Series)

Item #	Part #	Part #	Part #	Part #	Description
1	208 967	202 813	129 525	202 814	Receptacle Assembly (Female)
	208 968 (N/A)	—	—	202 811	Receptacle, Brass with O-ring (Female) (consists of items 2 and 3)
2	185 711 (N/A)	202 553	210 752	202 554 (N/A)	Receptacle, Brass (Female)
3	185 710	—	—	185 710	O-Ring, 0.296 ID x 0.139 H Silicone
4	186 228	186 228	—	186 228	O-Ring, 0.739 ID x 0.070 H
5	185 712	185 712	208 760 (N/A)	185 712	Insulator, bulkhead front
6	185 718	185 718	—	185 718	O-Ring, 0.989 ID x 0.070 H
7	185 713	185 713	208 430	185 713	Insulator, bulkhead rear
8	—	—	229 338	—	Washer, domed load .812 ID x 1.450 OD x .070 THK
9	185 714	185 714	—	185 714	Tooth washer, 1 mm intern
10	185 717	185 717	185 717	185 717	Nut, M20-1.5 1.00 Hex .19 H BRS locking
11	—	—	229 333	—	Screw, M10-1.5x 20 Hex HD-PLN 8.8 PLD SEMS



Dinse™ Twistlock Receptacles/Connectors

Item #	Part #	Series	Description	Cable Capacity/Thread Size
Receptacles				
12	127 837	25	Receptacle, Insulated (Female)	—
13	143 419	50	Receptacle, Insulated (Male)	—
14	208 698	25	Receptacle, Brass Power Pos. (Female)	—
15	208 699	25	Receptacle, Brass Power/Gas Neg. (Female) with O-Ring #188 380 (.174 ID x .103 H)	—
Connectors				
16	127 835	25	Connector, Insulated (Female)	No. 3 – No. 4
	129 526	50	Connector, Insulated (Female)	No. 2 – 1/0 (35 – 50 mm)
	136 600	70	Connector, Insulated (Female)	No. 1/0 – 3/0 (50 – 70 mm)
	138 180	95	Connector, Insulated (Female)	No. 3/0 – 4/0 (70 – 95 mm)
17	127 836	25	Connector, Insulated (Male)	No. 3 – No. 4
	129 527	50	Connector, Insulated (Male)	No. 2 – 1/0 (35 – 50 mm)
	134 460	70	Connector, Insulated (Male)	No. 1/0 – 3/0 (50 – 70 mm)
	138 181	95	Connector, Insulated (Male)	No. 3/0 – 4/0 (70 – 95 mm)
18	195 234	25	Connector, Insulated (Male) Flow-Thru	3/8-24R
19	194 722	50	Connector, Insulated (Male) Flow-Thru 125/150 A	3/8-24R
	194 723	50	Connector, Insulated (Male) Flow-Thru 200 A	7/8-14R
Adapters				
20	232 728	50/70	Adapter, Threaded Stud to Dinse (stud hole dia. 17/32 in)	
21	145 739		Sleeve, clamping	

Maxstar 700/Dynasty 700 Connectors

Item #	Part #	Description
Connectors		
	225 029	Connection Kit, Thread Lock Double Dry
Adapters		
	225 028	Adapter, Torch-Thread Lock Water (7/8 LHT)