

## Hobart MIG Gun History

Machine	Spec # / Stock #	Original Gun	Recommended Replacement Gun
Handler®	6969-1	GAL-90	Contact TWECO
	All Other 6969 Series	GAL-100	Contact TWECO
Handler® 120	7144-1 and 71441A-1	GAL-100	Contact TWECO
	All Other	Piecemaker® 14-A	Contact TWECO
Handler® 125	All	H-9A, pg 32; H-9, pg 32	H-9 #195 157R, pg 32
Handler® 125EZ	All	H-9A, pg 32	H-9 #195 157R, pg 32
Handler® 130XL	All	GA-16C	M-100 #248 282, pg 20
Handler® 135/140	All	H-10, pg 34	H100S2-10 #245 924, pg 34
Handler® 150	All	Piecemaker® 14-A	Contact TWECO
Handler® 175/180	All	H-10, pg 34	H100S2-10 #245 924, pg 34
Handler® 187	All	H-10, pg 34	H100S2-10 #245 924, pg 34
Handler® 210	All	H-14, pg 33	H100S4-10 #245 926, pg 34
IronMan™ 210	All	M-10, pg 20	M-100/M-150, pg 20
IronMan™ 230	All	H200L4-15, pg 35	H200L4-15 #239 173, pg 35
IronMan™ 250/270	All	M-25, pg 21	M-25, pg 21
Trek 180	All	H100L4-10, pg 35	H100L4-10 #243 864, pg 35

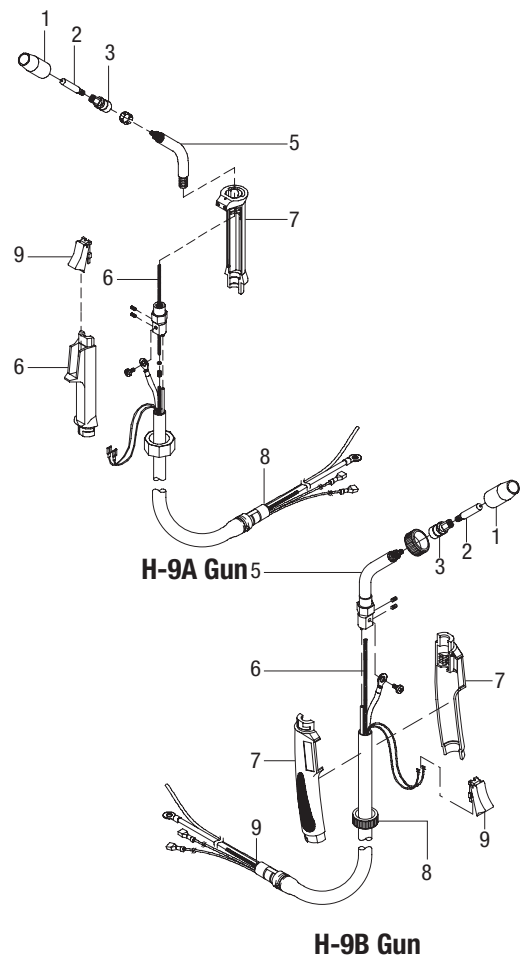
## H-9A/9B Service Parts/Consumables

Item #	Part # H-9A*	Part # H-9B	Description	Quantity
	195 157R	—	H-9A Gun 8 ft (2.4 m), 100 A, .030-.035 (0.8-0.9 mm)	
	—	195 157R	H-9B Gun 8 ft (2.4 m), 100 A, .030-.035 (0.8-0.9 mm)	
1	169 715 <sup>(B)</sup>	169 715 <sup>(B)</sup>	Nozzle, slip type .500 (12.7 mm) orf flush	1 (2 per pkg)
	226 190	226 190	Nozzle, slip type flux cored	1 (1 per pkg)
2	087 299 <sup>(B)</sup>	087 299 <sup>(B)</sup>	Tip, contact scr .023 (0.6 mm) wire x 1.125	1 (10 per pkg)
	000 067 <sup>(B)</sup>	000 067 <sup>(B)</sup>	Tip, contact scr .030 (0.8 mm) wire x 1.125	1 (10 per pkg)
	000 068 <sup>(B)</sup>	000 068 <sup>(B)</sup>	Tip, contact scr .035 (0.9 mm) wire x 1.125	1 (10 per pkg)
3	169 716	169 716	Adapter, contact tip	1 (2 per pkg)
4	170 470	—	Ring, retaining	1
5	210 969	226 079	Tube, head	1
6	210 970	210 970	Kit, liner, monocoil .023-.035 (0.6-0.9 mm) wire x 15 ft	1
7	211 450 (N/A)	226 080	Handle Assembly	1
8	—	226 010	Nut, liner retainer	2
9	—	225 410	Switch, trigger	1

<sup>1</sup>Optional

<sup>(B)</sup>Available in bulk quantities — see page 22 for more information.

\*H9B replaces H9A



For other products not listed in this catalog, please call Hobart at 1-800-626-9420.



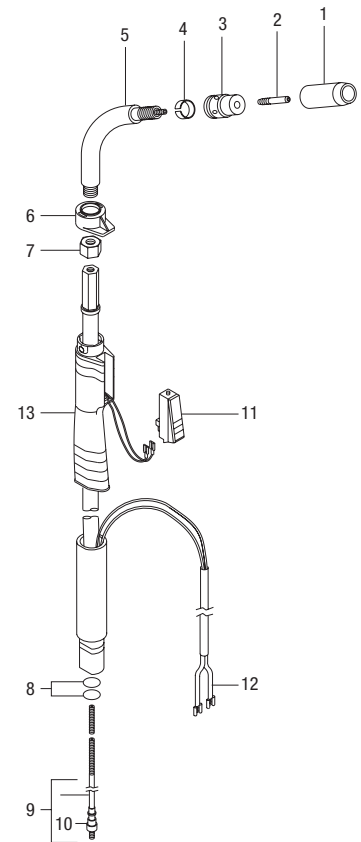
## H-10

### Service Parts/Consumables

Item #	Part #	Description	Quantity
	<b>195 957</b>	<b>H-10 Gun</b>	
		<b>10 ft (3 m), 100 A, .030-.035 (0.8-0.9 mm)</b>	
1	<b>169 715<sup>(B)</sup></b>	Nozzle, slip type .500 (12.7 mm) orf flush	1 (2 per pkg)
	<b>226 190</b>	Nozzle, slip type flux cored	1 (1 per pkg)
2	<b>087 299<sup>1(B)</sup></b>	Tip, contact scr .023 (0.6 mm) wire x 1.125	1 (10 per pkg)
	<b>000 067<sup>(B)</sup></b>	Tip, contact scr .030 (0.8 mm) wire x 1.125	1 (10 per pkg)
	<b>000 068<sup>(B)</sup></b>	Tip, contact scr .035 (0.9 mm) wire x 1.125	1 (10 per pkg)
	<b>000 069<sup>1(B)</sup></b>	Tip, contact scr .045 (1.2 mm) wire x 1.125	1 (10 per pkg)
3	<b>169 716</b>	Adapter, contact tip	1 (2 per pkg)
4	<b>170 470</b>	Ring, retaining	1
5	<b>169 718</b>	Tube, head	1
6	<b>169 738</b>	Nut, locking handle	1
7	<b>194 524</b>	Nut, jam	1
8	<b>197 123</b>	O-Ring, .312 ID x .062 70 Duro BUNA-N	2
9	<b>194 010<sup>1</sup></b>	Kit, liner, monocoil .023/.025 (0.6 mm) wire x 15 ft (includes)	1
	<b>194 011</b>	Kit, liner, monocoil .030-.035 (0.8-0.9 mm) wire x 15 ft (includes)	1
	<b>194 012<sup>1</sup></b>	Kit, liner, monocoil .035-.045 (0.9-1.2 mm) wire x 15 ft (includes)	1
10	<b>079 975</b>	O-Ring, .187 ID x .103CS rbr	1
11	<b>227 798</b>	Switch, trigger	1
12	<b>604 464</b>	Terminals, friction	2
13	<b>169 737</b>	Handle	1
	<b>209 494</b>	Power Pin	1

<sup>1</sup>Optional

<sup>(B)</sup>Available in bulk quantities — see page 22 for more information.



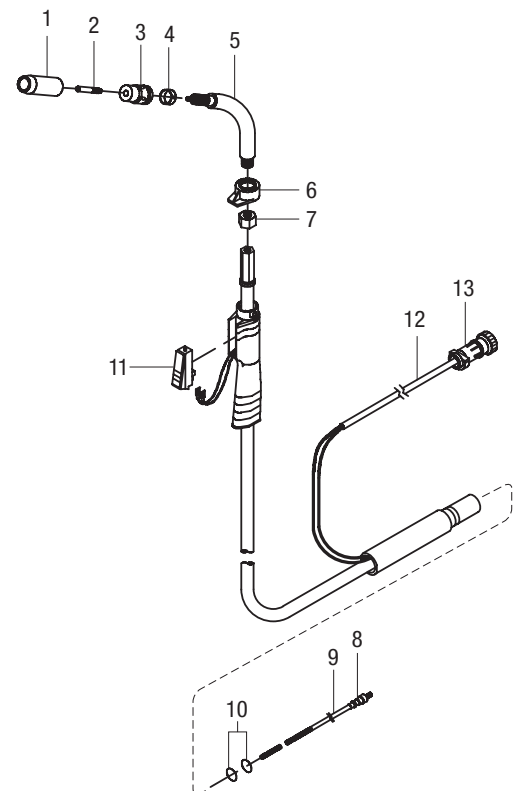
## H-14

### Service Parts/Consumables

Item #	Part #	Description	Quantity
	<b>231 204</b>	<b>H-14 Gun 10 ft (3 m),</b>	
		<b>100 A, .030-.035 (0.8-0.9 mm)</b>	
1	<b>169 715<sup>(B)</sup></b>	Nozzle, slip type .500 (12.7 mm) orf flush	1 (2 per pkg)
	<b>226 190</b>	Nozzle, slip type flux cored	1 (1 per pkg)
2	<b>087 299<sup>1(B)</sup></b>	Tip, contact scr .023 (0.6 mm) wire x 1.125	1 (10 per pkg)
	<b>000 067<sup>(B)</sup></b>	Tip, contact scr .030 (0.8 mm) wire x 1.125	1 (10 per pkg)
	<b>000 068<sup>1(B)</sup></b>	Tip, contact scr .035 (0.9 mm) wire x 1.125	1 (10 per pkg)
3	<b>169 716</b>	Adapter, contact tip	1 (2 per pkg)
4	<b>170 470</b>	Ring, retaining	1
5	<b>169 718</b>	Tube, head	1
6	<b>169 738</b>	Nut, locking handle	1
7	<b>169 719</b>	Nut, jam	1
8	<b>079 975</b>	O-ring, .187 ID x .103CS rbr	1
9	<b>194 011</b>	Kit, liner, monocoil .030-.035 (0.8-0.9 mm) wire x 15 ft (includes)	1
	<b>194 010<sup>1</sup></b>	Kit, liner, monocoil .023-.025 (0.6 mm) wire x 15 ft	1
	<b>194 012<sup>1</sup></b>	Kit, liner, monocoil .030-.035 (0.8-0.9 mm) wire x 15 ft	1
	<b>194 014<sup>1</sup></b>	Kit, liner, monocoil .023-.035 (0.6-0.9 mm) wire x 15 ft (includes)	1
10	<b>079 975</b>	O-ring, .312 ID x .062 70 Dura BUNA-N	1
11	<b>227 798</b>	Switch, trigger	1
12	<b>227 800</b>	Cord, trigger assembly	1
13	<b>079 878</b>	Housing Plug & Pins	1
	<b>209 494</b>	Power Pin	1

<sup>1</sup>Optional

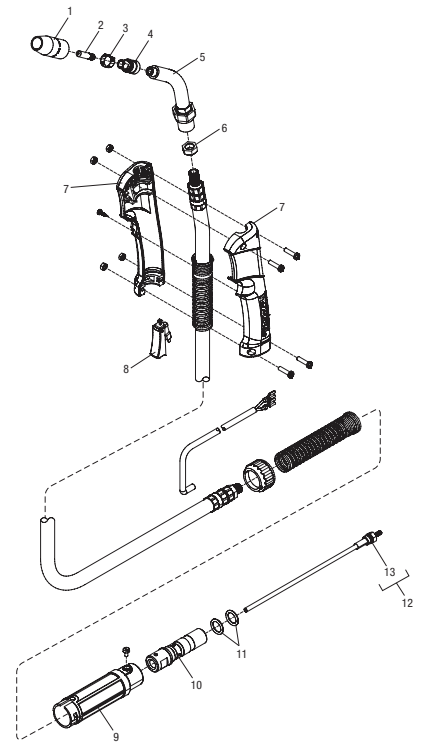
<sup>(B)</sup>Available in bulk quantities — see page 22 for more information.



## H100S2-10 Service Parts/Consumables

Item #	Part #	Description	Quantity
1	169 715	Nozzle, slip type, .500 (12.7 mm) orf flush	1
	226 190	Nozzle, slip type, flux cored	1
2	087 299 <sup>(B)</sup>	Tip, contact scr, .023 (0.6 mm) wire x 1.125	1
	000 067 <sup>(B)</sup>	Tip, contact scr, .030 (0.8 mm) wire x 1.125	1
	000 068 <sup>(B)</sup>	Tip, contact scr, .035 (0.9 mm) wire x 1.125	1
	000 069 <sup>(B)</sup>	Tip, contact scr, .045 (1.2 mm) wire x 1.125	1
	3	170 470	Ring, retaining
4	169 716	Adapter, contact tip	1
5	246 373	Tube, head	1
6	234 865	Nut, jam	1
7	242 832	Handle	1
8	225 410	Switch, trigger	1
9	246 380	Housing, power pin	1
10	227 800	Cord	1
11	209 495	Connector, feeder—M-10 (includes)	1
	209 486	Connector, feeder—M-15 (includes)	—
12	079 974	O-Ring, .500 ID x .103CS rbr	2
13	194 010	Kit, liner, monocoil .023/.025 (0.6 mm) wire x 15 ft (includes)	1
	194 011	Kit, liner, monocoil .030-.035 (0.8-0.9 mm) wire x 15 ft (includes)	1

<sup>(B)</sup> Available in bulk quantities — see page 22 for more information.



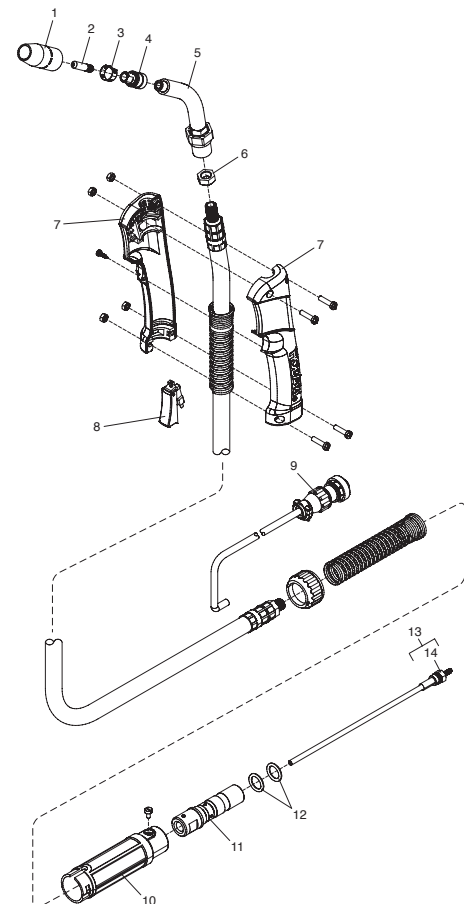
## H100S4-10 Service Parts/Consumables

Item #	Part #	Description	Quantity
	245 926	<b>H100S4-10</b>	
1	169 715	Nozzle, slip type .500 (12.7 mm) orf flush	1 (2 per pkg)
	226 190	Nozzle, slip type flux cored	1 (1 per pkg)
2	087 299 <sup>(B)</sup>	Tip, contact scr .023 (0.6 mm) wire x 1.125	1 (10 per pkg)
	000 067 <sup>(B)</sup>	Tip, contact scr .030 (0.8 mm) wire x 1.125	1 (10 per pkg)
	000 068 <sup>(B)</sup>	Tip, contact scr .035 (0.9 mm) wire x 1.125	1 (10 per pkg)
	000 069 <sup>(B)</sup>	Tip, contact scr .045 (1.2 mm) wire x 1.125	1 (10 per pkg)
	3	170 470	Ring, retaining
4	169 716	Adapter, contact tip	1 (2 per pkg)
5	246 373	Tube, head	1
6	243 865	Nut, jam	1
7	242 832	Handle	1
8	225 410	Switch, trigger	1
9	079 878	Housing plug and pins	1
10	246 380	Housing, power pin	1
11	245 927	Connector, feeder	1
12	197 123	O-ring, .312 ID x .062 duro buna-n	2
13	194 010 <sup>1</sup>	Kit, liner, monocoil .023-.025 (0.6 mm) wire x 15 ft	1
	194 011	Kit, liner, monocoil .030-.035 (0.8-0.9 mm) wire x 15 ft	1
	194 012 <sup>1</sup>	Kit, liner, monocoil .023-.035 (0.6-0.9 mm) wire x 15 ft	1
	079 975	O-ring, .187 ID x .103CS rbr	1

<sup>1</sup> Optional

<sup>(B)</sup> Available in bulk quantities — see page 22 for more information.

\*H9B replaces H9A

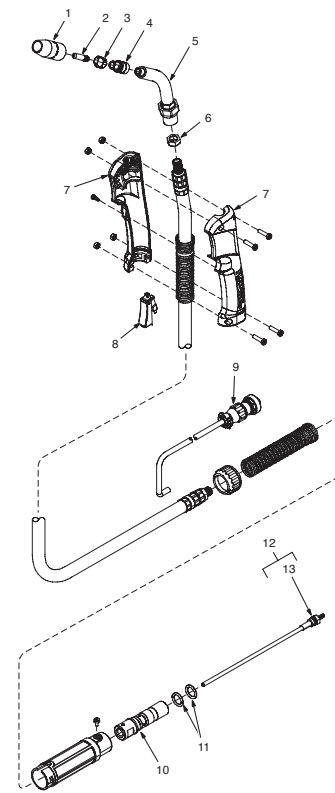




## H100L4-10 Service Parts/Consumables

Item #	Part #	Description	Quantity
	<b>243 864</b>	<b>H100L4-10 Gun 10 ft (3 m), 100 A, .030-.035 (0.8-0.9 mm)</b>	1
1	<b>169 715</b>	Nozzle, slip type, .500 orf flush	1
	<b>226 190<sup>1</sup></b>	Nozzle, flux cored slip type	1
2	<b>087 299<sup>1</sup></b>	Tip, contact scr .023 wire x 1.125	1
	<b>000 067<sup>1</sup></b>	Tip, contact scr .030 wire x 1.125	1
	<b>000 068<sup>1</sup></b>	Tip, contact scr .035 wire x 1.125	1
	<b>000 069<sup>1</sup></b>	Tip, contact scr .045 wire x 1.125	1
3	<b>170 470</b>	Ring, retaining	1
4	<b>169 716</b>	Adapter, contact tip	1
5	<b>242 831</b>	Tube, head	1
6	<b>243 865</b>	Nut, jam	1
7	<b>242 832</b>	Handle	1
8	<b>225 410</b>	Switch, trigger	1
9	<b>079 878</b>	Housing plug & pins	1
10	<b>242 833</b>	Connector, feeder	1
11	<b>079 974</b>	O-ring, .500 ID x .103CS rbr	2
12	<b>194 010<sup>1</sup></b>	Liner, monocoil .023/.025 wire x 15ft (consisting of)	1
	<b>194 011<sup>1</sup></b>	Liner, monocoil .030/.035 wire x 15ft (consisting of)	1
	<b>194 012<sup>1</sup></b>	Liner, monocoil .035/.045 wire x 15ft (consisting of)	1
13	<b>079 975</b>	O-ring, .187 ID x .103CS rbr	1

<sup>1</sup>Optional



## H200L4-15 Service Parts/Consumables

Item #	Part #	Description	Quantity
	<b>239 173</b>	<b>H200L4-10 Gun 15 ft (4.6 m), 200 A, .030-.035 (0.8-0.9 mm)</b>	1
1	<b>200 258</b>	Nozzle, slip type, .500 orf flush	1
	<b>169 724<sup>1</sup></b>	Nozzle, slip type, .500 orf .125 recess	1
	<b>169 725<sup>1</sup></b>	Nozzle, slip type, .625 orf .125 recess	1
	<b>169 726<sup>1</sup></b>	Nozzle, slip type, .625 orf flush	1
	<b>169 727<sup>1</sup></b>	Nozzle, slip type, .625 orf .125 stitch out	1
2	<b>087 299<sup>1</sup></b>	Tip, contact scr .023 wire x 1.125	1
	<b>000 067<sup>1</sup></b>	Tip, contact scr .030 wire x 1.125	1
	<b>000 068<sup>1</sup></b>	Tip, contact scr .035 wire x 1.125	1
	<b>000 069<sup>1</sup></b>	Tip, contact scr .045 wire x 1.125	1
3	<b>169 728</b>	Adapter, contact tip	1
4	<b>169 729</b>	Adapter, nozzle w/retaining ring	1
5	<b>170 468</b>	O-Ring	1
6	<b>169 730</b>	Washer, shock	1
7	<b>242 585</b>	Tube head assembly	1
8	<b>242 635</b>	Handle, front H-20 welding gun	1
9	<b>225 410</b>	Switch, trigger	1
10	<b>242 597</b>	Handle, rear H-20 welding gun	1
11	<b>242 598</b>	Collar, adapter feeder connector	1
12	<b>242 604</b>	Connector, feeder H-20 welding gun	1
13	<b>079 974</b>	O-ring, .500 ID x .103 cs rbr	1 (2 per pkg)
14	<b>194 010</b>	Liner, monocoil .023/.025 wire x 15ft (consisting of)	1
	<b>194 011</b>	Liner, monocoil .030/.035 wire x 15ft (consisting of)	1
	<b>194 012</b>	Liner, monocoil .035/.045 wire x 15ft (consisting of)	1
15	<b>079 975</b>	O-ring, .312 ID x .062 70 Dura Buna-N	1
16	<b>227 800</b>	Cord, trigger assembly	1

<sup>1</sup>Optional

