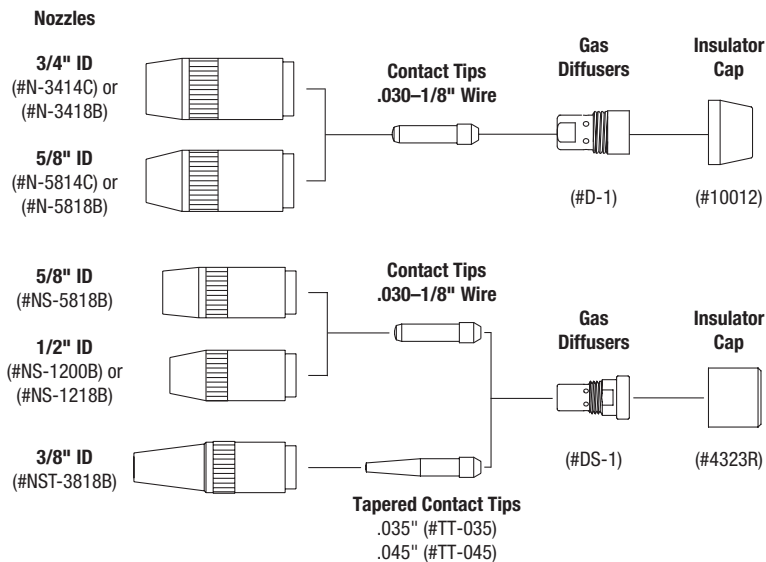




## Bernard® Centerfire™ Series MIG Gun Consumables

Nozzles	Description	Quantity	Contact Tips	
#NS-1200B	1/2 in ID, flush tip, brass	10	#T-023	0.023 in (0.6 mm) 10
#NS-1218B	1/2 in ID, 1/8 in tip recess, brass	10	#T-030	0.030 in (0.8 mm) 10
#NS-5818B	5/8 in ID, 1/8 in tip recess, brass	10	#T-035	0.035 in (0.9 mm) 10
#N-5814C	5/8 in ID, 1/4 in tip recess, copper	10	#T-039	0.039 in (1.0 mm) 10
#N-5818B	5/8 in ID, 1/8 in tip recess, brass	10	#T-045	0.045 in (1.2 mm) 10
#N-3414C	3/4 in ID, 1/4 in tip recess, copper	10	#T-052	0.052 in (1.4 mm) 10
#N-3418B	3/4 in ID, 1/8 in tip recess, brass	10	#T-062	1/16 in (1.6 mm) 10
#N-5800C	5/8 in ID, flush tip, copper	10	#T-072	0.072 in (1.8 mm) 10
#NST-3818B	3/8 in ID, 1/8 in tip recess, brass	10	#T-078	5/64 in (2.0 mm) 10
#N-3400C	3/4 in ID, flush tip, copper	10	#T-094	3/32 in (2.4 mm) 10
#N-3414B	3/4 in ID, 1/4 in tip recess, brass	10	#T-109	7/64 in (2.8 mm) 10
#N-3418C	3/4 in ID, 1/8 in tip recess, copper	10	#T-125	1/8 in (3.2 mm) 10
#N-5814B	5/8 in ID, 1/4 in tip recess, brass	10	#TT-023	0.023 in (0.6 mm) 10
#N-5818C	5/8 in ID, 1/8 in tip recess, copper	10	#TT-035	0.035 in (0.9 mm) 10
#NS-1218C	1/2 in ID, 1/8 in tip recess, copper, slim	10	#TT-045	0.045 in (1.2 mm) 10
#NS-5800B	5/8 in ID, flush tip, brass, slim	10		
#NS-5818C	5/8 in ID, 1/8 in tip recess, copper, slim	10		
			<b>Gas Diffusers</b>	
			#DS-1	Small diffuser 1
			#D-1	Large diffuser 1
			#D-1T <sup>1</sup>	Large conversion diffuser 1
			<b>Insulator Caps</b>	
			#4323R	For use with DS-1 diffuser 1
			#10012	For use with D-1 diffuser 1
			#4423R	For use with D-1T diffuser 1

<sup>1</sup> Converts the following guns: Lincoln® Magnum 300 and 400; Tregaskiss® Toughgun; Tweco® No. 3 and 4, Tuff-N-Lite, Supra XT (HD Consumables) and Spraymaster 450



For other products not listed in this catalog, please call Bernard at 1-800-946-2281.



**Ironmate™ FC-1150**  
450-Amp, Self-Shielded  
Flux Cored Welding Gun



**Ironmate™ FC-1260**  
350-Amp, Self-Shielded  
Flux Cored Welding Gun

## Ironmate™ Flux Cored Guns

Model	Part #	Length	Weight	Rating and Duty Cycle	Wire Size
FC-1260	195 732	10 ft (3 m)	8.5 lb (3 kg)	350 A at	1/16–3/32 in
	195 729	15 ft (4.6 m)	11 lb (5 kg)	60% Duty Cycle	(1.6–2.4 mm) <sup>1</sup>
FC-1260 90°	237 410	10 ft (3 m)	8.5 lb (3 kg)	350 A at	1/16–3/32 in
	213 439	15 ft (4.6 m)	11 lb (5 kg)	60% Duty Cycle	(1.6–2.4 mm) <sup>1</sup>
FC-1260LM	194 912	10 ft (3 m)	8.5 lb (3 kg)	350 A at	1/16–3/32 in
	194 911	15 ft (4.6 m)	11 lb (5 kg)	60% Duty Cycle	(1.6–2.4 mm) <sup>1</sup>
FC-1150	194 864	10 ft (3 m)	9.5 lb (4.3 kg)	450 A at	3/32–1/8 in
	194 863	15 ft (4.6 m)	12 lb (5.4 kg)	60% Duty Cycle	(2.4–3.2 mm)

<sup>1</sup>.035 and .045 in (0.9 and 1.2 mm) are available via optional Conversion Kit #199 178

## Consumables

Contact Tips (25 per package)	FC-1260	FC-1150
.035 in (0.9 mm)	#209 248 <sup>2</sup>	—
.045 in (1.2 mm)	#198 784 <sup>2</sup>	—
1/16 in (1.6 mm)	#198 785	—
.068–.072 in (1.7–1.8 mm)	#198 786	—
5/64 in (2.0 mm)	#198 788	—
3/32 in (2.4 mm)	#198 790	#201 256
7/64 in (2.8 mm)	—	#201 257
.120 in (3.0 mm)	—	#201 258
1/8 in (3.2 mm)	—	#201 259
<b>Insulated Thread Protector (5 per package)</b>	#198 800 <sup>3</sup>	—
<b>Nozzles</b>		
Insulated Flush	#198 801	#201 261
Insulated 2 in (51 mm) Stickout	#198 802	—
Insulated 2-3/4 in (70 mm) Stickout	#198 803	#201 262 <sup>3</sup>
<b>Replacement Liners</b>		
1/16–3/32 in (1.6–2.4 mm) for Cable	#195 731	—
1/16–3/32 in (1.6–2.4 mm) for Gooseneck (Short)	#198 791	—
1/16–3/32 in (1.6–2.4 mm) for Gooseneck (Medium)	#198 792	—
1/16–3/32 in (1.6–2.4 mm) for Gooseneck (Long)	#198 793	—
.045 in (1.2 mm) Conversion for Cable and Gooseneck	#199 178	—
3/32–1/8 in (2.4–3.2 mm) for Cable	—	#201 246
3/32–1/8 in (2.4–3.2 mm) for Gooseneck	—	#201 260

<sup>2</sup>Use .045 in Conversion Kit #199 178

<sup>3</sup>Standard

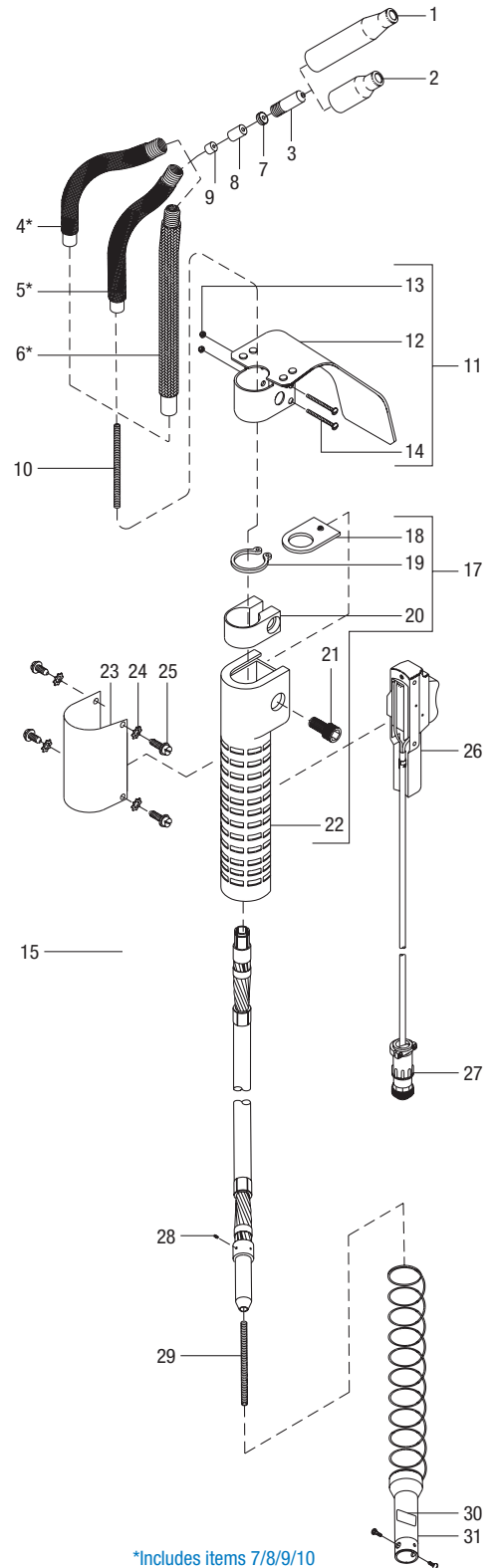
**Note:** See page 29 for optional goosenecks and a complete parts listing.



## Ironmate™ FC-1150 Service Parts/Consumables

Item #	Part #	Description	Quantity
1	201 262	Nozzle, insulated 2-3/4 in stickout	1
2	201 261	Nozzle, insulated 2 in stickout	1
3	201 256	Tip, contact 3/32 in	1 (25 per pkg)
	201 257	Tip, contact 7/64 in	1 (25 per pkg)
	201 258	Tip, contact .120 in	1 (25 per pkg)
	201 259	Tip, contact 1/8 in	1 (25 per pkg)
4	201 250 <sup>1</sup>	Gooseneck, 82° bend (includes)	1
4	201 251 <sup>1</sup>	Gooseneck, 82° bend, aluminum jacketed (includes)	1
5	201 247	Gooseneck, 25° bend (includes)	1
5	201 248 <sup>1</sup>	Gooseneck, 45° bend, (includes)	1
5	201 249 <sup>1</sup>	Gooseneck, 45° bend, aluminum jacketed (includes)	1
6	201 252 <sup>1</sup>	Gooseneck, straight 5° bend, (includes)	1
7	201 253	Liner, locking screw 3/8 in – 16	1
8	201 254	Insert, steel	1
9	201 255	Insert, ceramic	1
10	201 260	Liner, gooseneck replacement (short, for 6 in goose)	1
11	201 245	Shield Kit, heat (consists of)	1
12	—	Shield, heat (not available separately)	1
13	198 681	Nut, 008-32 .34 hex .23h stl pld elastic stop nut	2
14	135 646	Screw, 008-32 x 1.50 rnd hd-phl stl pld	2
15	224 083	Housing Kit with Hardware — less switch	1
16	224 083	Housing assembly, trigger	1
17	194 714 (N/A)	Handle Kit, assembly (consists of)	1
18	198 821	Shield, spatter	1
19	081 664	Ring, rtng ext .625 shaft grv x .042 thk e style	1
20	198 820	Clamp	1
21	133 774	Screw, cap stl sch .250-20 x .625 pld	1
22	198 819	Handle	1
	000 369	Switch, limit 10 amp, 125/250 VAC	1
23	198 743	Clamp, switch housing	1
24	602 202	Washer, tooth .168 id x .340 od x .023 t stl pld	4
25	070 001	Screw, 008-32 x .25 hexwhd-pln stl pld	4
26	194 713	Switch Kit, assembly 15 ft (consists of)	1
26	195 735	Switch Kit, assembly 10 ft (consists of)	1
27	079 878	Housing Plug and Pins (service kit)	1
28	198 894 (N/A)	Screw, set #8-32 x .312 — liner locking	1
29	201 246	Kit, replacement standard liner 15 ft (includes)	1
30	201 276 (N/A)	Label, FC-1150 gun, 10 ft	1
30	201 277 (N/A)	Label, FC-1150 gun, 15 ft	1
31	195 733	Kit, insulator sleeve with spring and screws	1

<sup>1</sup>Optional



\*Includes items 7/8/9/10

## Ironmate™ FC-1260 and FC-1260LM Service Parts/Consumables

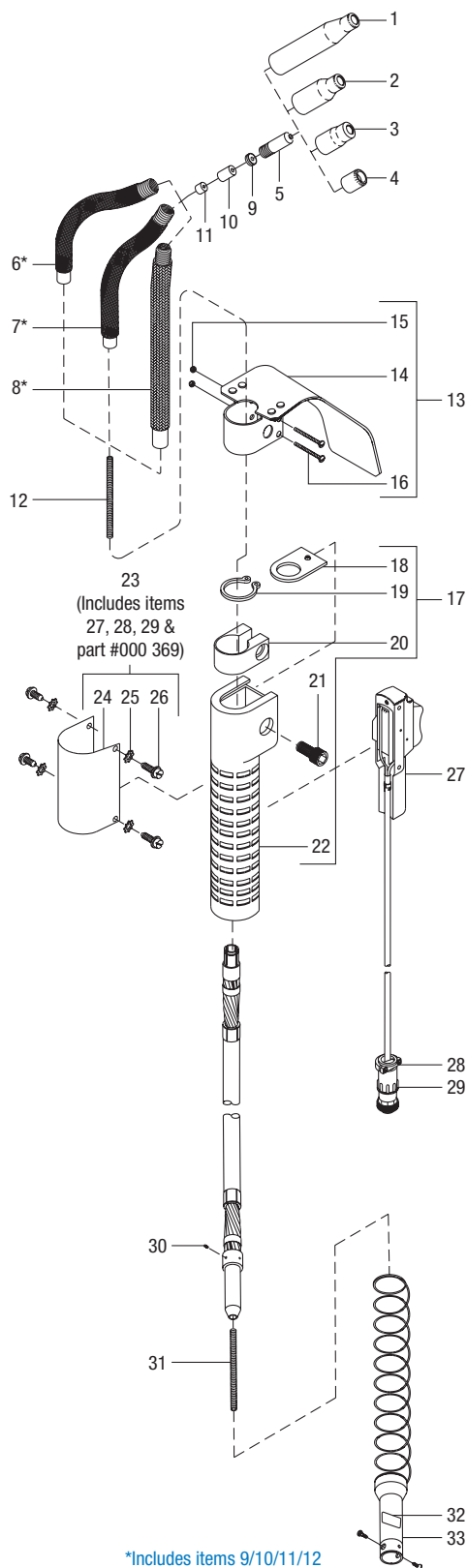
Item #	Part #	Description	Quantity
1	198 803	Nozzle, insulated 2-3/4 in stickout	1
2	198 802	Nozzle, insulated 2 in stickout	1
3	198 801	Nozzle, insulated	1
4	198 800 <sup>1</sup>	Protector, thread	1 (5 per pkg)
5	209 248 <sup>2</sup>	Tip, contact .035 (0.9 mm)	1 (25 per pkg)
	198 784 <sup>2</sup>	Tip, contact .045 (1.2 mm)	1 (25 per pkg)
	198 785	Tip, contact 1/16 (1.6 mm)	1 (25 per pkg)
	198 786	Tip, contact .068-.072 (1.7-1.8 mm)	1 (25 per pkg)
	198 788	Tip, contact 5/64 (2.0 mm)	1 (25 per pkg)
	198 790	Tip, contact 3/32 (2.4 mm)	1 (25 per pkg)
6	198 794 <sup>1</sup>	Gooseneck, 6 in, 50° bend (includes)	1
6	199 332	Gooseneck, 6 in, 50° bend, aluminum jacketed (includes)	1
6	198 795	Gooseneck, 12 in, 50° bend (includes)	1
6	199 333	Gooseneck, 12 in, 50° bend, aluminum jacketed (includes)	1
6	198 798	Gooseneck, 6 in, 90° bend (includes)	1
6	199 334	Gooseneck, 6 in, 90° bend, aluminum jacketed (includes)	1
7	198 796	Gooseneck, 6 in, 30° bend (includes)	1
7	199 335	Gooseneck, 6 in, 30° bend, aluminum jacketed (includes)	1
7	198 797	Gooseneck, 12 in, 30° bend (includes)	1
7	199 336	Gooseneck, 12 in, 30° bend, aluminum jacketed (includes)	1
8	198 799	Gooseneck, 8 in straight with 5° bend (includes)	1
9	198 752 <sup>3</sup>	Liner, locking screw 5/16 in-18	1
10	198 758 <sup>3</sup>	Insert, steel	1
11	198 806 <sup>3</sup>	Insert, ceramic	1
12	198 791	Liner, gooseneck replacement (short, for 6 in goose)	1
12	198 792	Liner, gooseneck replacement (med, for 8 in goose)	1
12	198 793	Liner, gooseneck replacement (long, for 12 in goose)	1
13	194 712	Shield Kit, heat (consists of)	1
14	—	Shield, heat (not available separately)	1
15	198 681	Nut, 008-32 .34 hex .23h stl pld elastic stop nut	2
16	135 646	Screw, 008-32 x 1.50 rnd hd-phl stl pld	2
17	194 714 (N/A)	Handle Kit, assembly (consists of)	1
18	198 821	Shield, spatter	1
19	081 664	Ring, rtng ext .625 shaft grv x .042 thk e style	1
20	198 820	Clamp	1
21	133 774	Screw, cap stl sch .250-20 x .625 pld	1
22	198 819	Handle	1
23	194 713	Switch Kit, assembly 15 ft (consists of)	1
23	195 735	Switch Kit, assembly 10 ft (consists of)	1
24	198 743	Clamp, switch housing	1
25	602 202	Washer, tooth .168 id x .340 od x .023 t stl pld	4
26	070 001	Screw, 008-32 x .25 hexwhd-pln stl pld	4
27	224 083	Aluminum Housing Kit with Hardware — less switch	1
28	079 531	Conn, circ cpc clamp str rlf size 11 .453 od	1
29	079 878	Housing Plug and Pins (service kit)	1
	000 369	Switch, limit 10 amp, 125/250 VAC	1
30	198 894 (N/A)	Screw, set #8-32 x .312 — liner locking	1
31	195 731	Kit, replacement standard liner 15 ft (includes)	1
31	199 178	Kit, .045 conversion monocoil liner 15 ft (includes)	1
	166 575	Wrench, hex .078 across flat	1
32	198 759 (N/A)	Label, FC-1260 gun, 10 ft	1
	198 767 (N/A)	Label, FC-1260 gun, 15 ft	1
33	195 733	Kit, insulator sleeve with spring	1
	202 295	Insulator, phenolic (FC-1260LM only)	1
	202 294	Adapter, Miller feeder (FC-1260LM only)	1
	202 692	Adapter, Miller to Lincoln trigger leads (FC-1260LM only)	1

<sup>1</sup>Standard

<sup>2</sup>Use .045 in Conversion Kit

<sup>3</sup>Items recessed in Gooseneck

**Note: Each Gooseneck includes locking screw liner, inserts, and appropriate gooseneck liner.**



\*Includes items 9/10/11/12