

Q300/Q400

Service Parts/Consumables

| Item # | Part # | | Part # | Description | Quantity |
|--------|----------------------|------------|----------------------|---|----------------|
| | Q3015AE8XM | Q3015AE8HM | Q4015AE8EM | | |
| 1* | N-5800C | NS-5818C | N-5818C | Centerfire Nozzle | 1 (10 per pkg) |
| 2* | T-045 | T-052 | T-045 | Centerfire Contact Tip | 1 (10 per pkg) |
| 3* | D-1 | DS-1 | D-1 | Centerfire Gas Diffuser | 1 |
| 4 | 10012 | 4323R | 10012 | Insulator Cap | 1 |
| 5 | QT3-45 | | QT3-45 | Neck Assembly, 45°, 3.2 in radius | 1 |
| 6 | QJL-3545 | QJL-116 | QJL-3545 | Jump Liner | 1 (10 per pkg) |
| 7 | 4213B ³ | | 4313B ³ | Stay-Tite™ End Fitting | 1 |
| 8 | 4305 | | 1540003 ³ | Stay-Tite™ Cone Nut | 1 |
| | 4991 ³ | | 1520017 | Conduit Clamp | 2 |
| | 4939 ³ | | 4939 ³ | Jacket Clamp | 2 |
| 9 | 5662 | | 5662 | Trigger, standard | 1 (5 per pkg) |
| 10 | 1880155 | | 1880198 | Handle Kit (includes) | 1 |
| 11 | 4207 ² | | 4207 ² | Post Fastener | 1 or 5 |
| | 2030004 ³ | | — | Post Fastener, short | 4 |
| 12 | 4209 | | 4209 | Screw | 5 |
| 13 | 2660001 | | 2660001 | Quick Disconnect Terminal | 1 |
| 14 | 2520074 ³ | | 2520042 ³ | Handle Spring | 1 |
| 15 | — | | 1060115 ³ | Cable with Fittings, 10 ft (3 m) | 1 |
| | 1060111 ³ | | 1060117 ³ | Cable with Fittings, 15 ft (4.5 m) | 1 |
| 16 | 2520033 | | 2520041 ³ | Strain Relief | 1 |
| 17 | 4932 ³ | | 4932 ³ | Butt Connector | 2 |
| 18 | 2520066 | | 2520066 | Rigid Strain Relief | 1 |
| 19 | 1010027 | | 1010027 | Adapter Block | 1 |
| 20 | W11127-002 | | W11127-002 | Screw, strain relief | 1 |
| 21 | GN2021 | | GN2021 | Electrical Plug | 1 |
| 22 | 2200101 | | 2200101 | Miller Power Pin Assembly | 1 |
| 23 | 1920344 | | 1920344 | Liner, 15 ft (4.5 m), 3/64 (1.2 mm) wire (on Q400, Q4015AE8RM model), AL | 1 |
| | 1920345 | | 1920345 | Liner, 15 ft (4.5 m), 1/16 (1.6 mm) wire (on Q400, Q4015AE8SM model), AL | 1 |
| | 44115 | 44215 | 44115 | Liner, 15 ft (4.5 m), .035-.045 (0.9-1.2 mm) wire (on Q400, Q4015AE8EM model) | 1 |
| 24 | 2200106 | | 2200106 | Power Pin Tip (.040-3/64 AL) (on Q400, Q4015AE8RM model) | 1 (10 per pkg) |
| | 2200107 | | 2200107 | Power Pin Tip (.052-1/16 AL) (on Q400, Q4015AE8SM model) | 1 (10 per pkg) |
| | 4477 | | 4477 | Power Pin Tip (.023-.045) (on Q400, Q4015AE8EM model) | 1 (10 per pkg) |
| 25 | 1984Q ¹ | | 1984Q ¹ | Stay-Tite™ Repair Kit | 1 |
| 26 | 1790002 | | 1790002 | Hang Up Hook Kit | 1 |

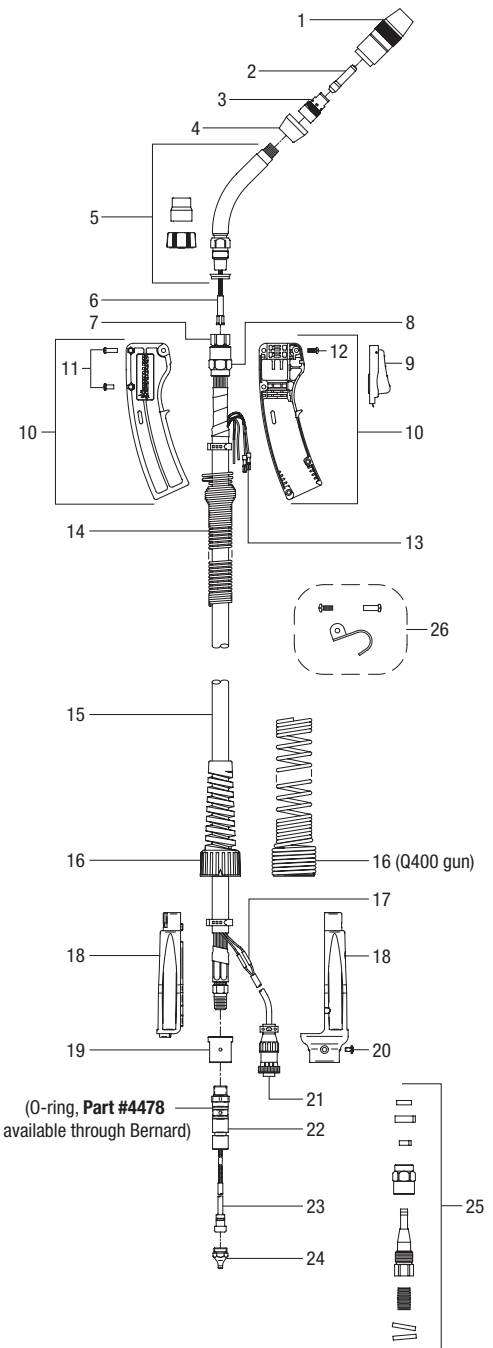
¹Rear Cone Nut Repair Kits include jacket clamp, conduit clamp, cone nut, end fitting, nipple, spacer, and butt connectors.

²Q300 series requires 1 post fastener. Q400 series requires 5 post fasteners.

³Part is only available through Bernard 1-800-946-2281

*Items 1, 2 & 3 will work on Roughneck as a set.

Note: These guns are compatible with Centerfire consumables.



(O-ring, Part #4478 available through Bernard)



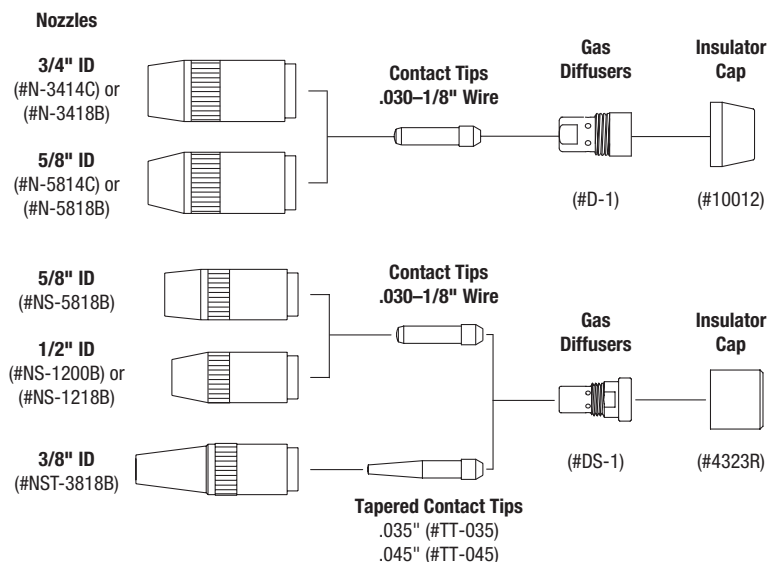
For other products not listed in this catalog, please call Bernard at 1-800-946-2281.



Bernard® Centerfire™ Series MIG Gun Consumables

| Nozzles | Description | Quantity | Contact Tips | | |
|------------|--|----------|-----------------------|----------------------------|----|
| #NS-1200B | 1/2 in ID, flush tip, brass | 10 | #T-023 | 0.023 in (0.6 mm) | 10 |
| #NS-1218B | 1/2 in ID, 1/8 in tip recess, brass | 10 | #T-030 | 0.030 in (0.8 mm) | 10 |
| #NS-5818B | 5/8 in ID, 1/8 in tip recess, brass | 10 | #T-035 | 0.035 in (0.9 mm) | 10 |
| #N-5814C | 5/8 in ID, 1/4 in tip recess, copper | 10 | #T-039 | 0.039 in (1.0 mm) | 10 |
| #N-5818B | 5/8 in ID, 1/8 in tip recess, brass | 10 | #T-045 | 0.045 in (1.2 mm) | 10 |
| #N-3414C | 3/4 in ID, 1/4 in tip recess, copper | 10 | #T-052 | 0.052 in (1.4 mm) | 10 |
| #N-3418B | 3/4 in ID, 1/8 in tip recess, brass | 10 | #T-062 | 1/16 in (1.6 mm) | 10 |
| #N-5800C | 5/8 in ID, flush tip, copper | 10 | #T-072 | 0.072 in (1.8 mm) | 10 |
| #NST-3818B | 3/8 in ID, 1/8 in tip recess, brass | 10 | #T-078 | 5/64 in (2.0 mm) | 10 |
| #N-3400C | 3/4 in ID, flush tip, copper | 10 | #T-094 | 3/32 in (2.4 mm) | 10 |
| #N-3414B | 3/4 in ID, 1/4 in tip recess, brass | 10 | #T-109 | 7/64 in (2.8 mm) | 10 |
| #N-3418C | 3/4 in ID, 1/8 in tip recess, copper | 10 | #T-125 | 1/8 in (3.2 mm) | 10 |
| #N-5814B | 5/8 in ID, 1/4 in tip recess, brass | 10 | #TT-023 | 0.023 in (0.6 mm) | 10 |
| #N-5818C | 5/8 in ID, 1/8 in tip recess, copper | 10 | #TT-035 | 0.035 in (0.9 mm) | 10 |
| #NS-1218C | 1/2 in ID, 1/8 in tip recess, copper, slim | 10 | #TT-045 | 0.045 in (1.2 mm) | 10 |
| #NS-5800B | 5/8 in ID, flush tip, brass, slim | 10 | | | |
| #NS-5818C | 5/8 in ID, 1/8 in tip recess, copper, slim | 10 | | | |
| | | | Gas Diffusers | | |
| | | | #DS-1 | Small diffuser | 1 |
| | | | #D-1 | Large diffuser | 1 |
| | | | #D-1T ¹ | Large conversion diffuser | 1 |
| | | | Insulator Caps | | |
| | | | #4323R | For use with DS-1 diffuser | 1 |
| | | | #10012 | For use with D-1 diffuser | 1 |
| | | | #4423R | For use with D-1T diffuser | 1 |

¹ Converts the following guns: Lincoln® Magnum 300 and 400; Tregaskiss® Toughgun; Tweco® No. 3 and 4, Tuff-N-Lite, Supra XT (HD Consumables) and Spraymaster 450



For other products not listed in this catalog, please call Bernard at 1-800-946-2281.